

Assembly Instructions for DVD/Receiver Shelves

AARTONMOUNTS 3963

To be fitted by professional only

English



Thank you for choosing our DVD/Receiver Shelves, this shelves was designed to be mounted on the wall. And then can put DVD or Receivers on the Metal shelves.

Safety Warning: If you do not understand these directions, or have any doubts about the safety of the installation, please call a qualified contractor. Check carefully to make sure there are no missing or defective parts. Never use defective parts. Improper installation may cause damage or serious injury. Do not use this product for any purpose that is not explicitly specified in this manual. We can not be liable for damage or injury caused by incorrect mounting, incorrect assembly, or incorrect use.

Note: We makes every effort to assure all necessary television mounting hardware is included. If the hardware you need is not included please consult your local hardware store.

Required Tools: Phillips screw driver.

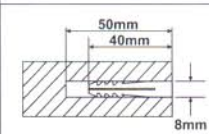
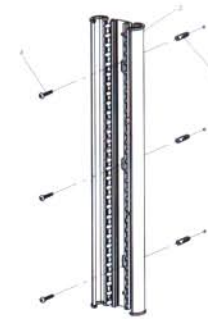
Supplied Parts

No.	Picture	Description	Quantity
1		metal Shelf	2
2		Aluminum Support	1
3		Plastic Cover	2
4		Lag Bolt	3
5		Concrete Anchor	3
6		Screw Cover	1

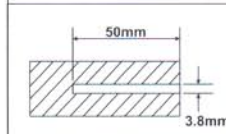
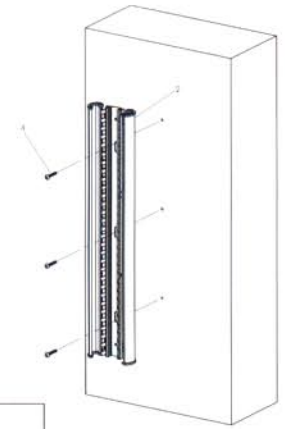
Step 1

Mounting the Aluminum Support to the Wall

Brick Mount

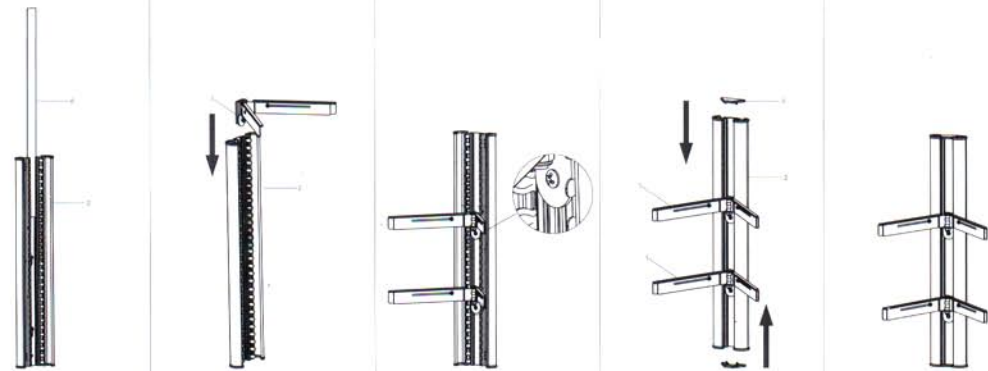


Wood Mount



Step 2

Put Screw Cover and Metal Shelf on Aluminum Support, use the screw drive to tighten the bolts, put on plastic covers



Thanks for choosing our products, enjoy the using.