

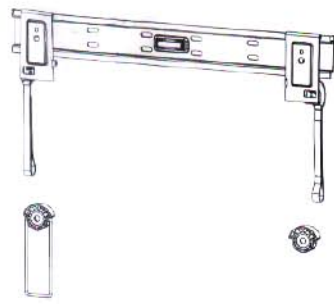
AARTONMOUNTS

ITEM NUMBER 3811

MUST BE FITTED BY A PROFESSIONAL

Instruction Manual

50kg/110lbs



(A) x4 M4x14	(B) x4 M5x14	(C) x4 M6x14	(D) x4 M4x30	(E) x4 M5x30	(F) x4 M6x30	(G) x4 M8x14	(H) x4 M8x30
(I) x6 Ø10x50	(J) x6 M6.3x55	(K) x2 12x5.5	(L) x6 16x6.2	(M) x2 16x8.2	(N) x4 12x6x13	(O) x4 17.5x8.2x20	

