

Manual Instruction

Part 1

10kg/22lbs

Part 2

VE SA75/100mm

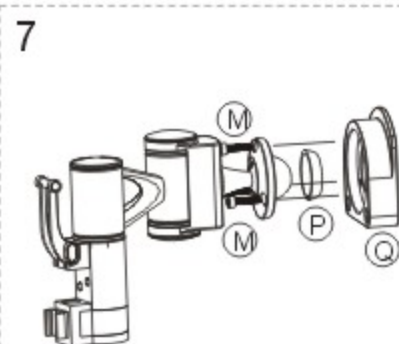
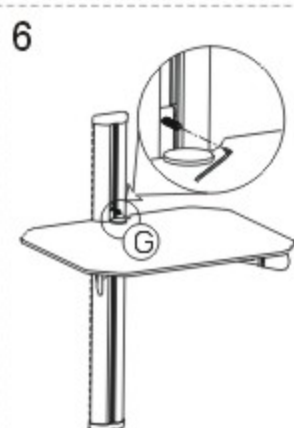
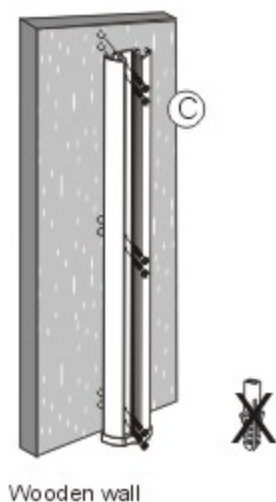
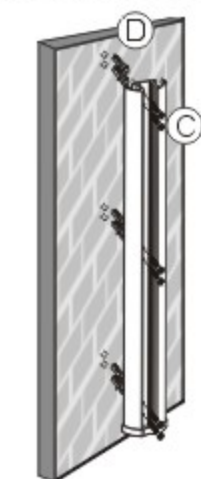
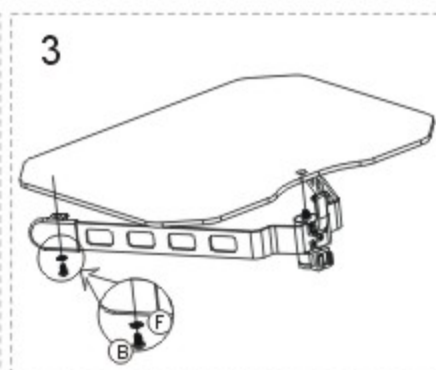
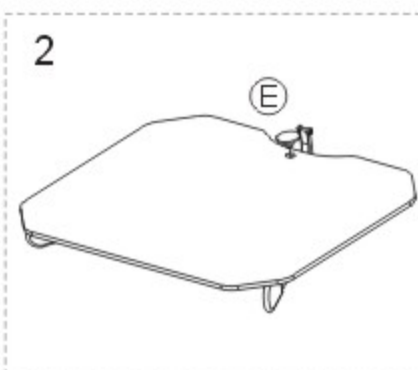
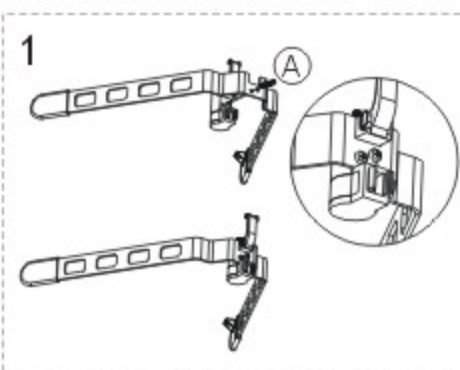
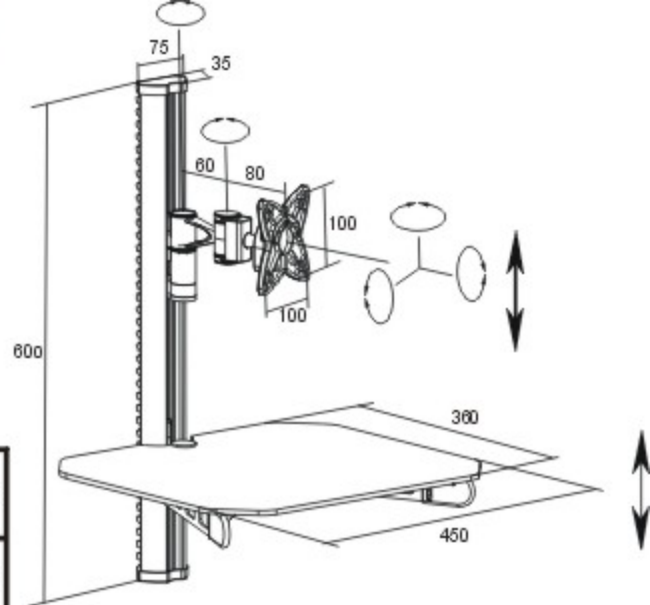
15kg/33lbs

Bag1

| | | | | | | | | | | | |
|----------|-------|----|----------|-------|----|----------|---------|----|----------|-----|----|
| A | M5x10 | x2 | C | M5x50 | x6 | E | | x1 | G | 3mm | x1 |
| B | M5x6 | x2 | D | Ø8x35 | x6 | F | Ø14x5.5 | x2 | | | |

Bag2

| | | | | | | | | | | | | | | |
|----------|-------|----|----------|-------|----|----------|-------|----|----------|-----|----|----------|--|----|
| H | M4x14 | x4 | J | M5x14 | x4 | L | M5x20 | x2 | N | | x1 | P | | x1 |
| I | M4x10 | x4 | K | M5x10 | x4 | M | M4x15 | x3 | O | 4mm | x1 | Q | | x1 |



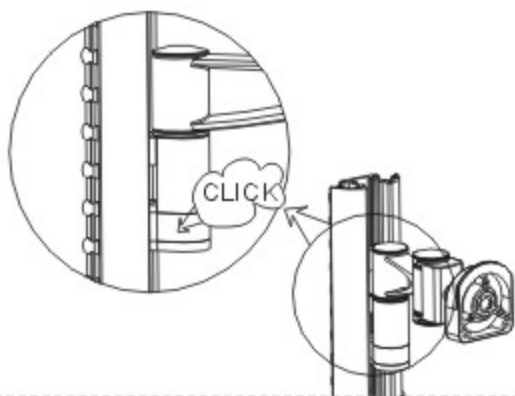
8



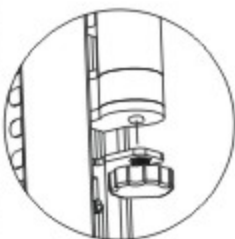
9



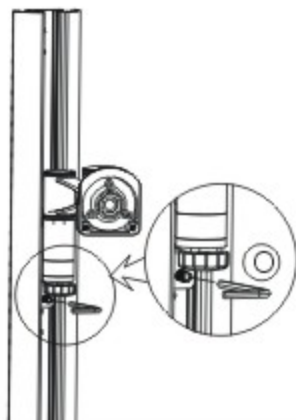
10



11



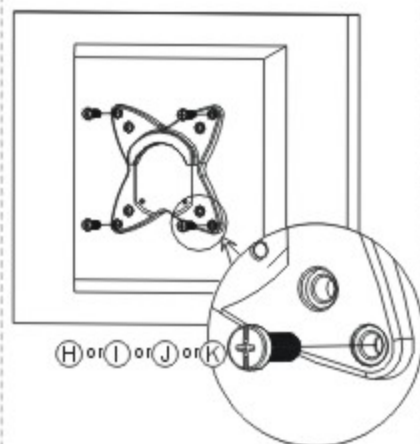
12



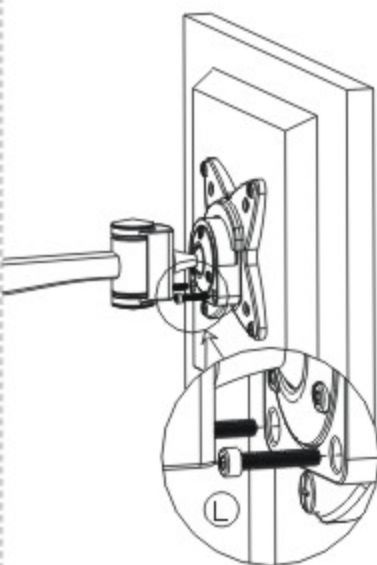
13



14



15



16

