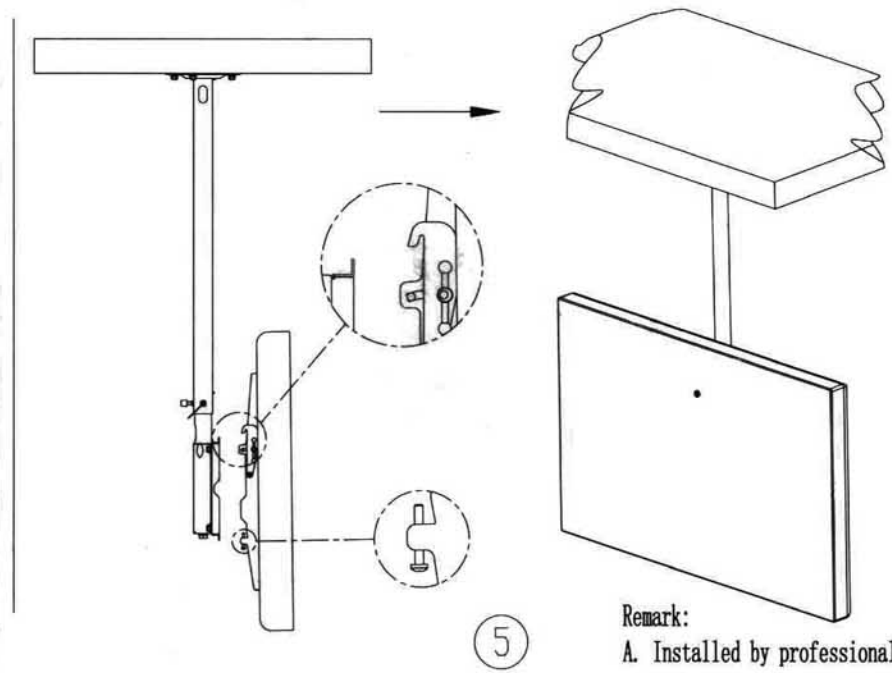
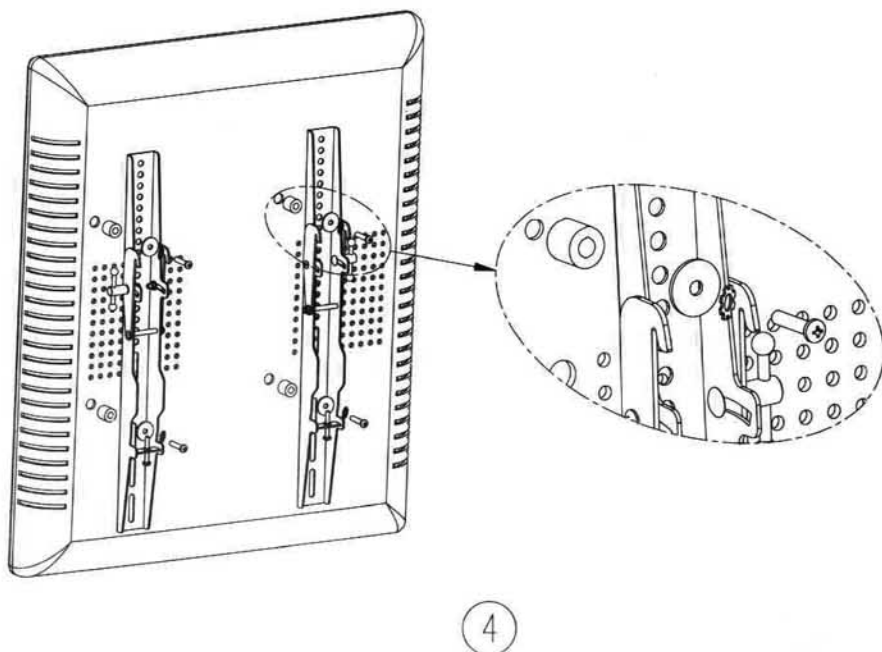
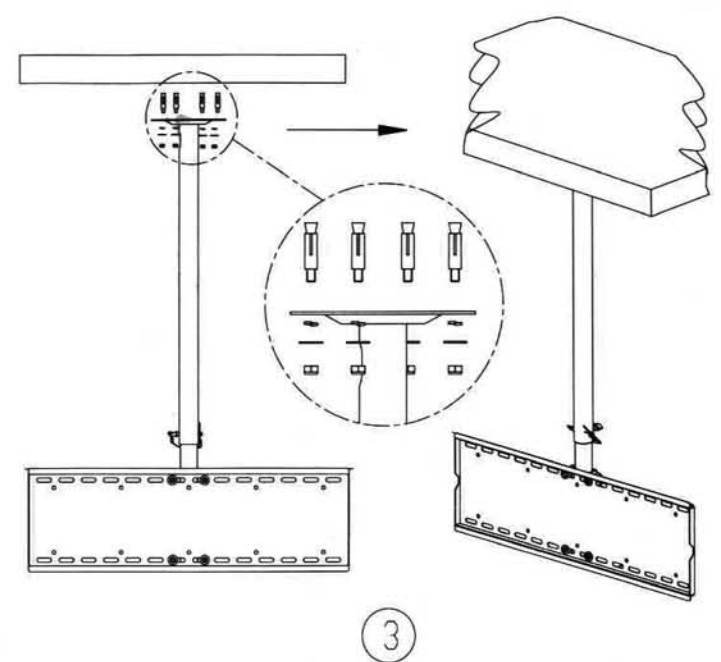
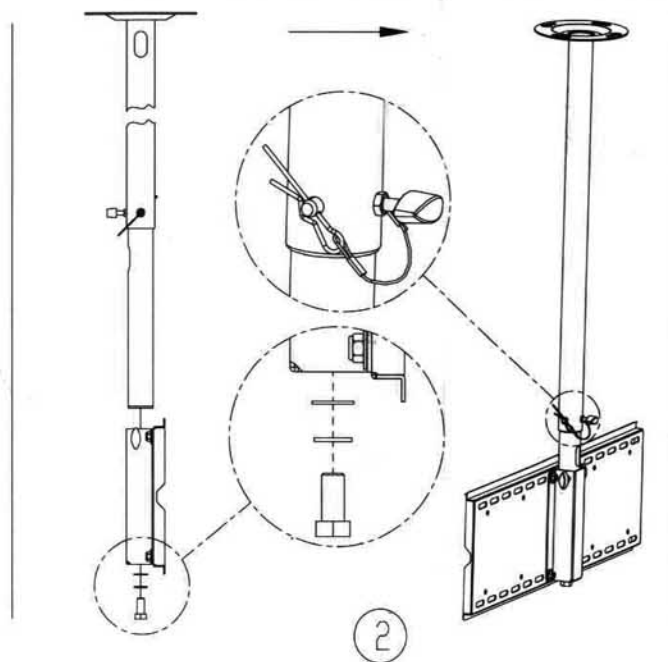
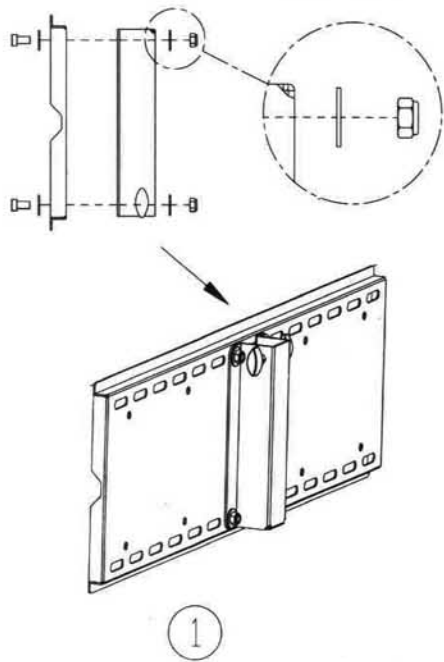


Instructions of AARTON-LCD CEILING MOUNT-218 wall fixed Installation for Panel TV



Remark:
A. Installed by professional only.
B. Installed on the hard wall or pillar.