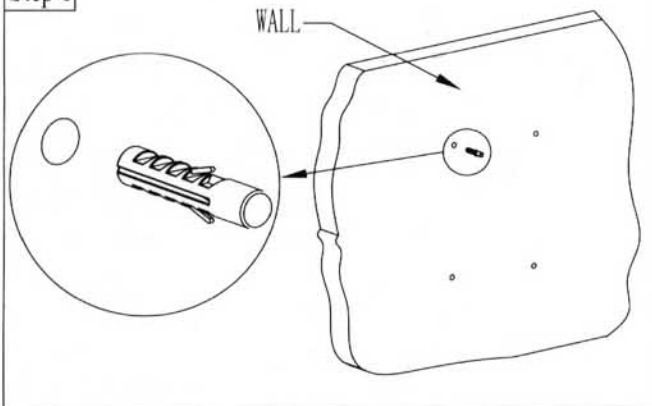




Installation guide for SELECTMOUNTS-LCD-7

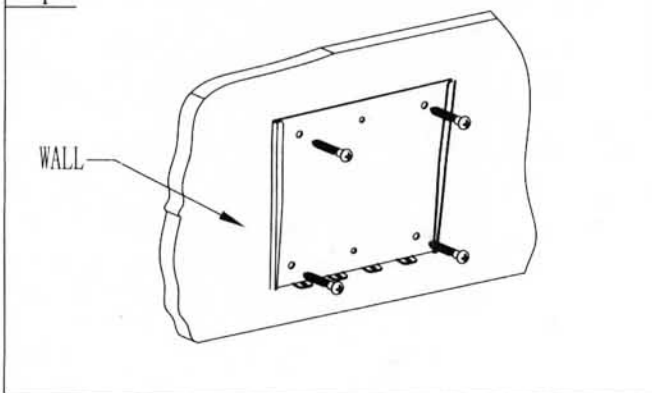


Step 1



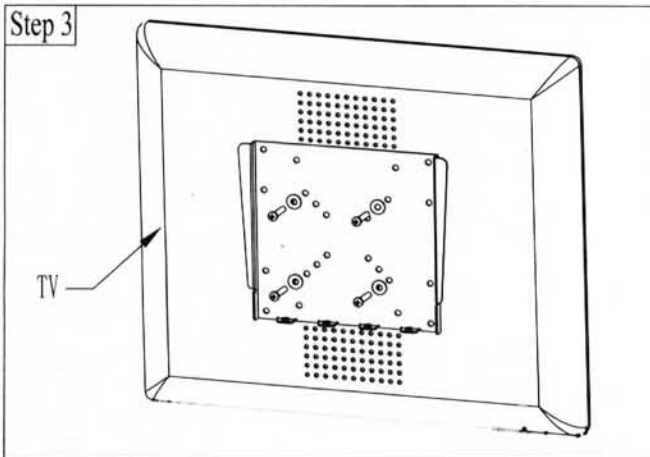
Step 1:
Use the wall plate as a templet to drill four holes of 5/16" diameter and 1-3/4" depth in the concrete wall or the hard wood wall. Then wedge four plastic concrete anchors into the holes.

Step 2



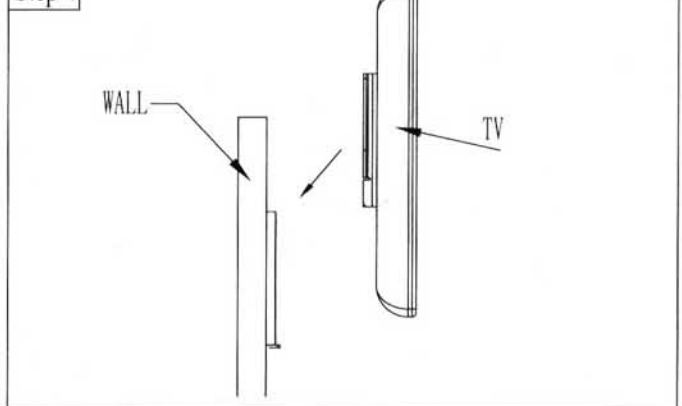
Step 2:
Screw four lag bolts into the plastic concrete anchors through the wall dead plate to make the dead plate and vertical wall into a whole.

Step 3



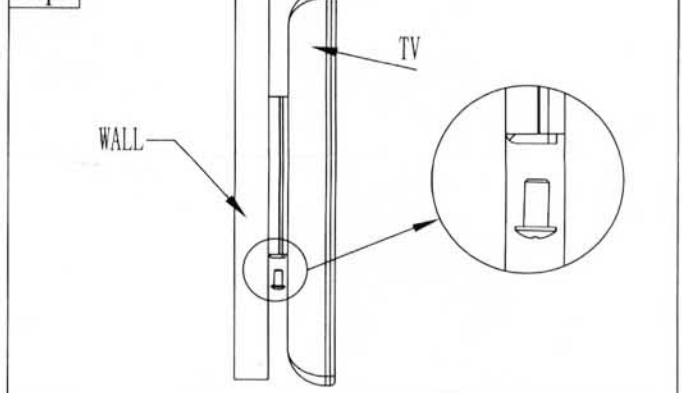
Step 3:
Install TV fixed plate on the TV back. Select four suitable bolts from the parts bag and screw them into the bolt-holes in the back of the TV.

Step 4



Step 4:
Hang the TV fixed plate in connection with the TV panel on the wall dead plate.

Step 5



Step 5:
Screw down four bolts under the wall fixed installation for the panel TV.

Remark:
To be fitted by a professional