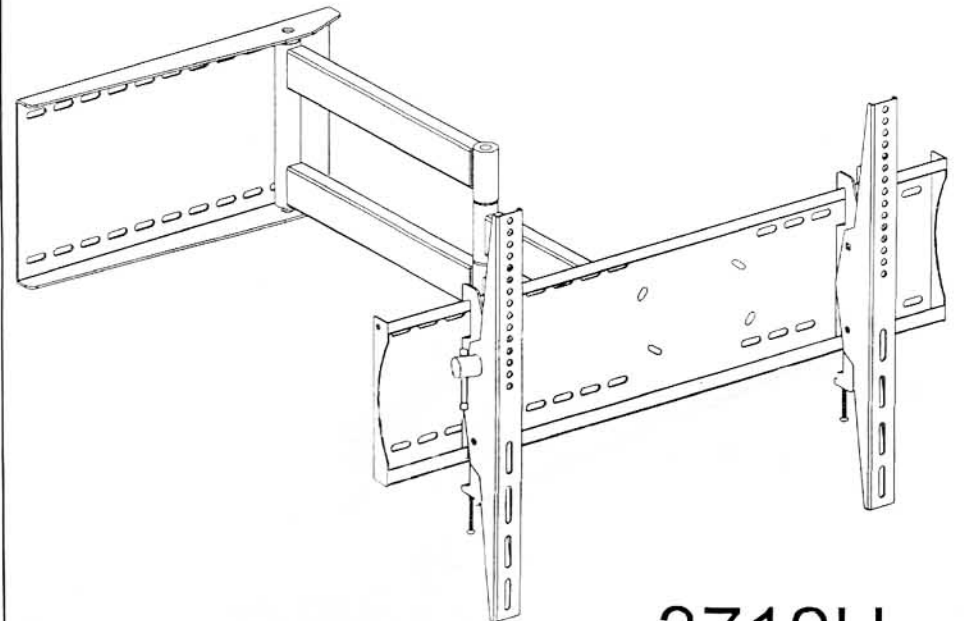
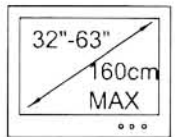


1. The viewing angle of plasma can be adjusted by loosen or tighten X-1.
2. The viewing horizontal level of plasma can be adjusted by loosen or tighten X-2.

PLASMA TV MOUNT



3712H

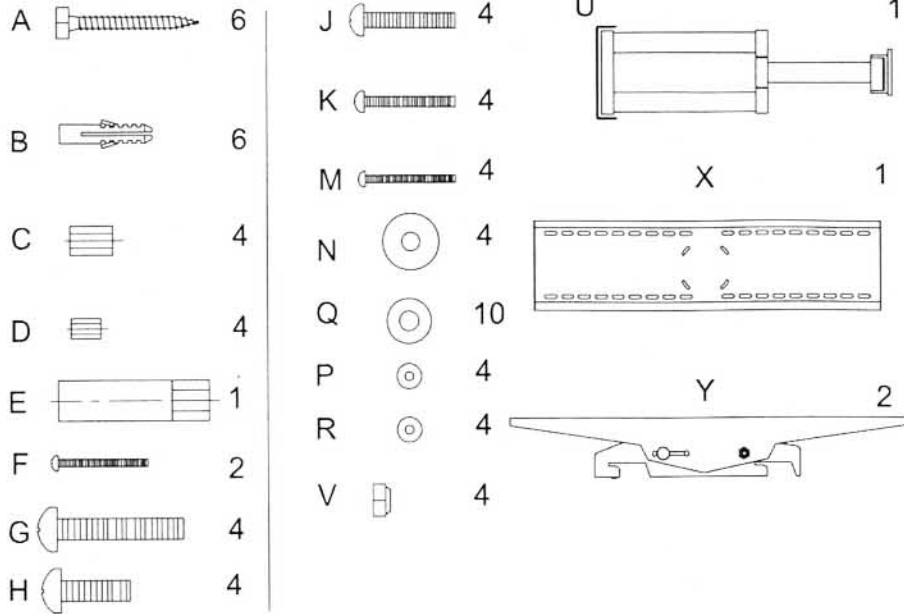
WWW.AARTONMOUNTS.COM

WARNING:

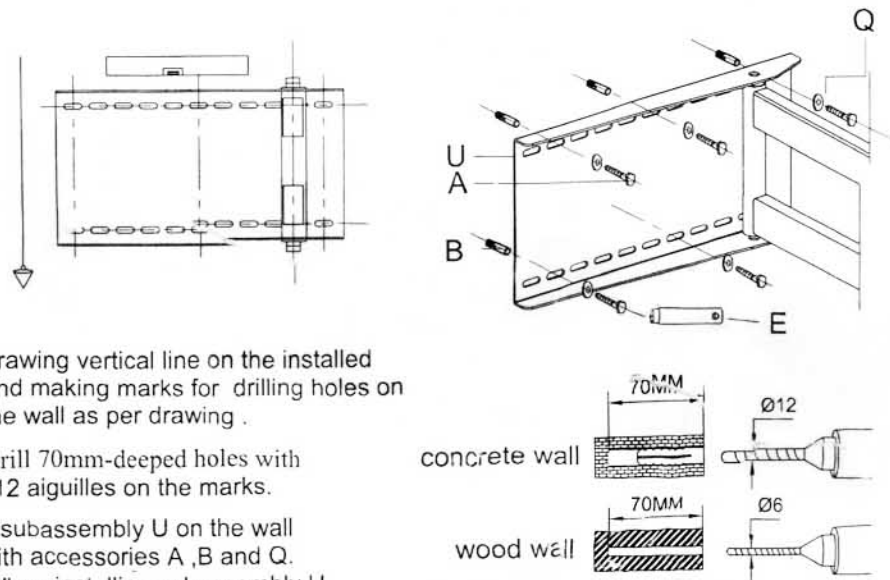
1. The bracket must be fitted to a solid concrete wall or solid brick wall or solid wooden wall .
2. To be fitted by a professional only .

3712H INSTALLATION SPECIFICATION

1



2



1. Drawing vertical line on the installed and making marks for drilling holes on the wall as per drawing .

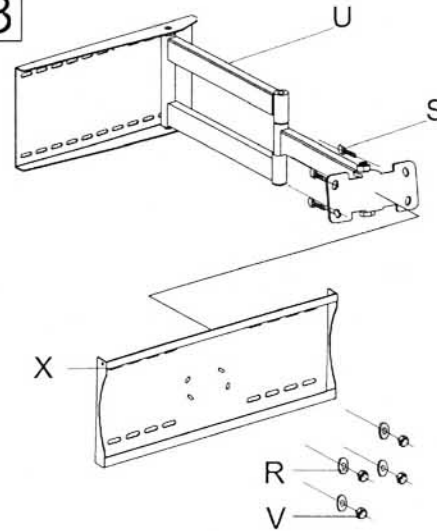
2. Drill 70mm-deep holes with $\Phi 12$ augilles on the marks.

Fix subassembly U on the wall with accessories A ,B and Q.

4. When installing subassembly U on solid wood walls, use a $\Phi 6$ augilles and accessory B is not needed.

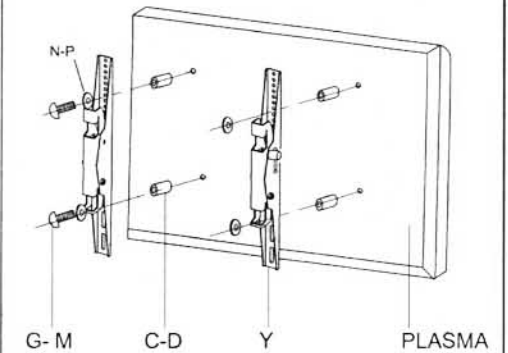
3712H INSTALLATION SPECIFICATION

3



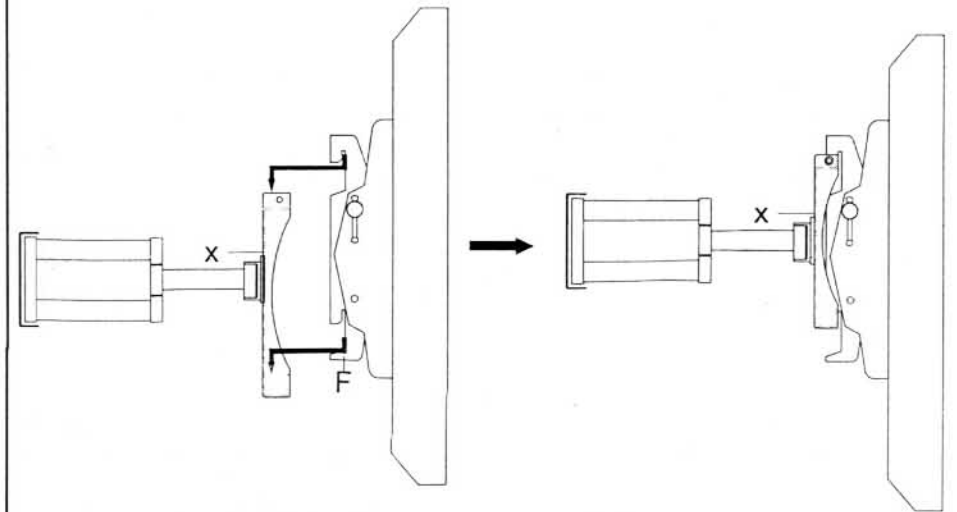
Combine subassemblies U and X with accessories S, V and R.

4



Fix subassembly Y on the plasma with proper bolts G-M,P-N and accessories C or D.

5



Hook the plasma on subassembly Y
Screw accessory F into Y to make it stably