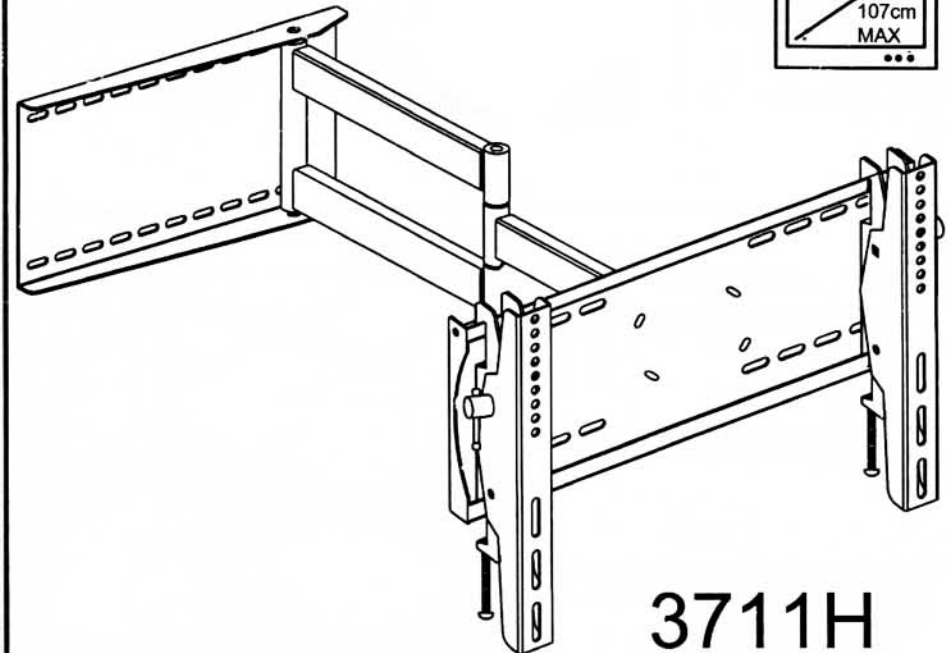
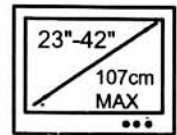


1.The viewing angle of plasma can be adjusted by loosen or tighten Y-1.

⚠ WARNING:

1. The bracket must be fitted to a solid concrete wall or solid brick wall or solid wooden wall .
2. To be fitted by a professional only .

PLASMA TV MOUNT

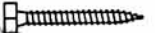

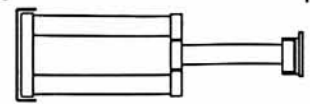

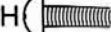
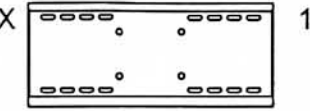
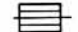


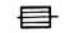


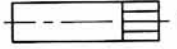








3711H

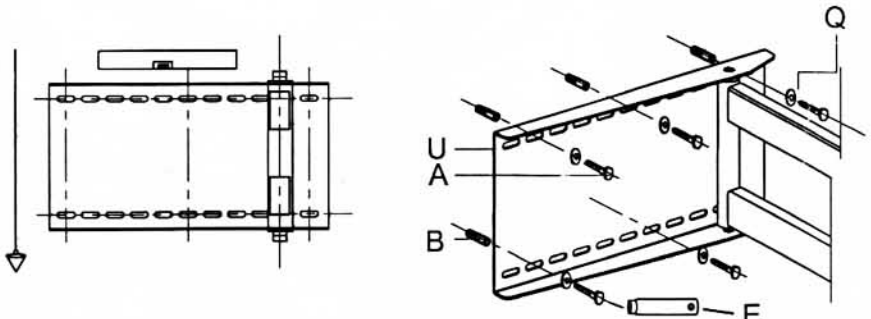
WWW.AARTONMOUNTS.COM

3711H INSTALLATION SPECIFICATION

1

A		6	G		4	U		1
B		6	H		4	X		1
C		4	J		4	Y		2
D		4	K		4	N		4
E		1	M		4	Q		10
F		2	P		4	R		4
V		4						

2



1. Drawing vertical line on the installed and making marks for drilling holes on the wall as per drawing .

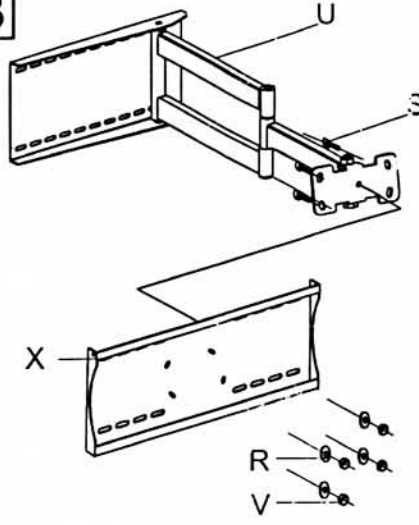
2. Drill 70mm-deep holes with $\Phi 12$ aiguilles on the marks.

3. Fix subassembly U on the wall with accessories A , B and Q.

4. When installing subassembly U on solid wood walls, use a $\Phi 6$ aiguilles and accessory B is not needed.

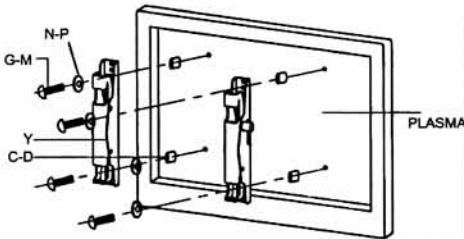
3711H INSTALLATION SPECIFICATION

3



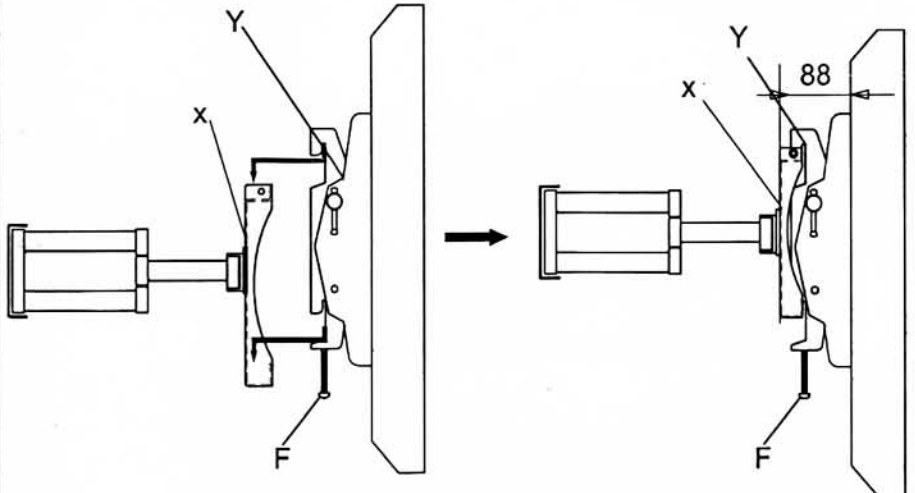
Combine subassemblies U and X with accessories S , Vand R.

4



Fix subassembly Y on the plasma with proper bolts G-M,P-N and accessories C or D.

5



Hook the plasma on subassembly X
Screw accessory F into Y to make it stably