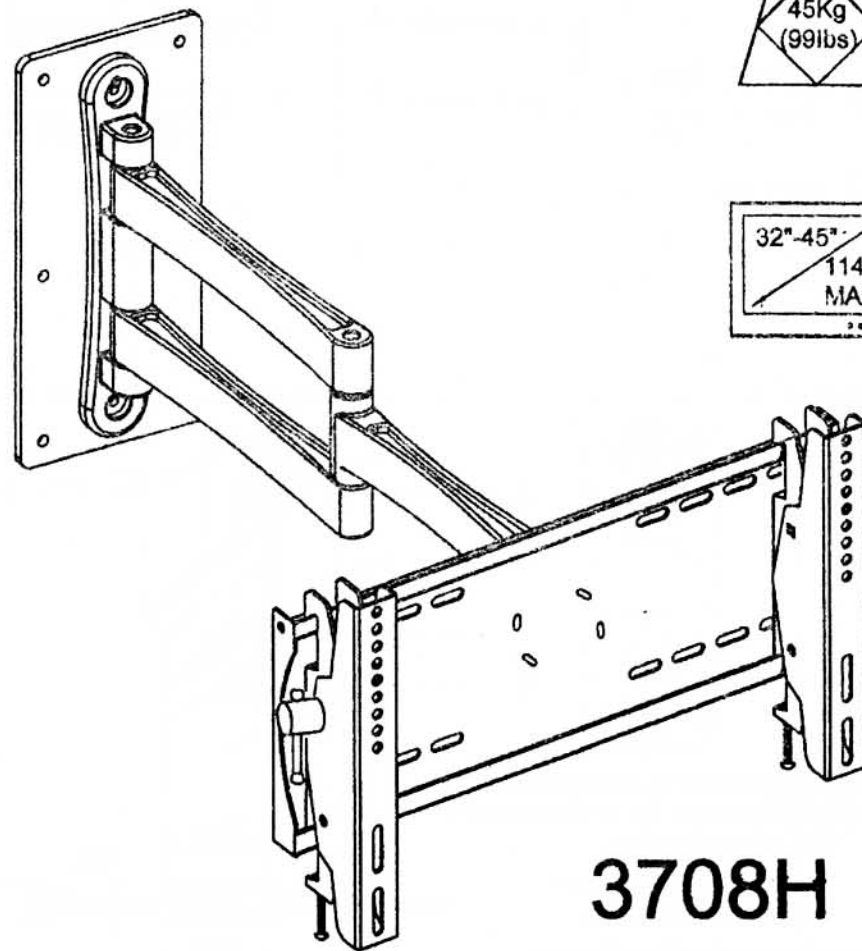
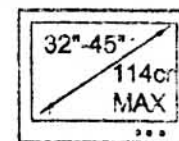


PLASMA TV MOUNT



3708H

WARNING:

1. The bracket must be fitted to a solid concrete wall or solid brick wall or solid wooden wall .
2. To be fitted by a professional only .

WWW.AARTONMOUNTS.COM

3708H INSTALLATION SPECIFICATION

1

A		6	G		4	U		1
B		6	H		4	X		1
C		4	J		4	Y		2
D		4	K		4	Z		1
E		1	M		4			
F		2	N		4			
T		3	Q		10			
S		4	P		4			
V		4	R		4			

2

1. Drawing vertical line on the installed and making marks for drilling holes on the wall as per drawing .

2. Drill 50mm-deeped holes with $\Phi 12$ aigulles on the marks.

3. Fix subassembly U on the wall with accessories A , B and Q.

4. When installing subassembly U on solid wood walls, use a $\Phi 6$ aigulles and accessory B is not needed.

3708H INSTALLATION SPECIFICATION

3

Combine subassemblies U and X with accessories S ,V and R.

4

Fix subassembly Y on the plasma with proper bolts G-M,N-P and accessories C or D.

5

Hook the plasma on subassembly X
Screw accessory F into Y to make it stably