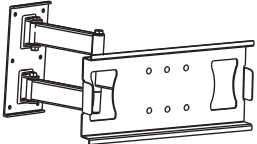
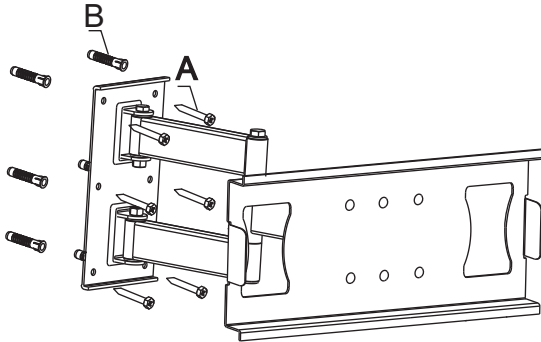
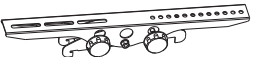

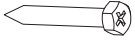

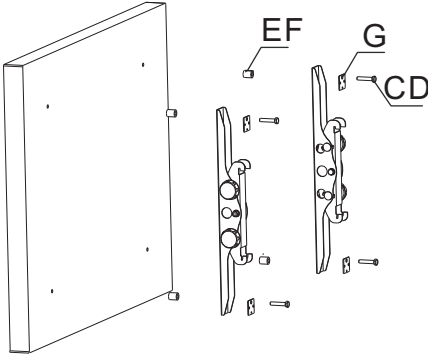


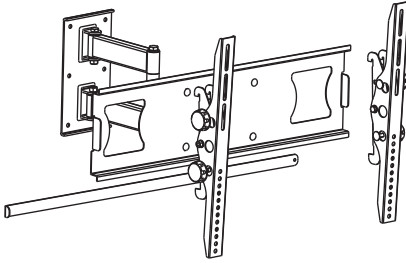


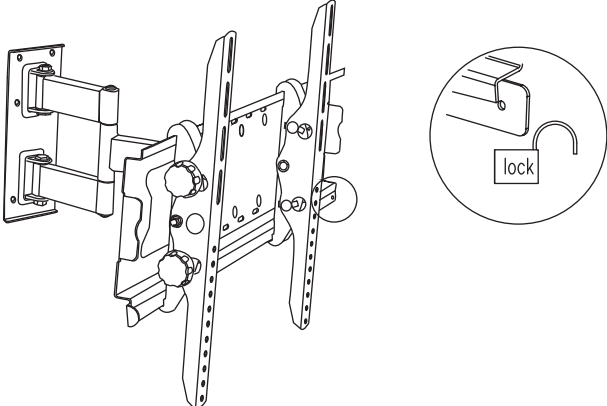
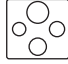
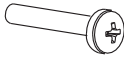


3560G

MUST BE FITTED BY A PROFESSIONAL

1		WALL PLATE & FRONT PLATE	x1	<div data-bbox="1131 135 1176 183">1</div> 
2		ARMS FOR TV	x2	
3		Security locking bar	x1	
A		M6.5x65mm screw	x6	
B		WALL PLUG	x6	<div data-bbox="1131 547 1176 595">2</div> 
C		M8x40mm Outer hexagonal screw	x4	
D		M6x20mm Cross round screw	x4	<div data-bbox="1697 547 1742 595">3</div> 
E		Φ6 Plastic spacer	x4	
F		Φ8 Plastic spacer	x4	<div data-bbox="1131 989 1176 1037">4</div> 
G		UNIVERSAL WASHER	x4	
H		M8x16mm Cross round screw	x4	

MUST BE FITTED BY A PROFESSIONAL