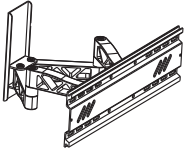




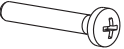








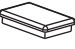

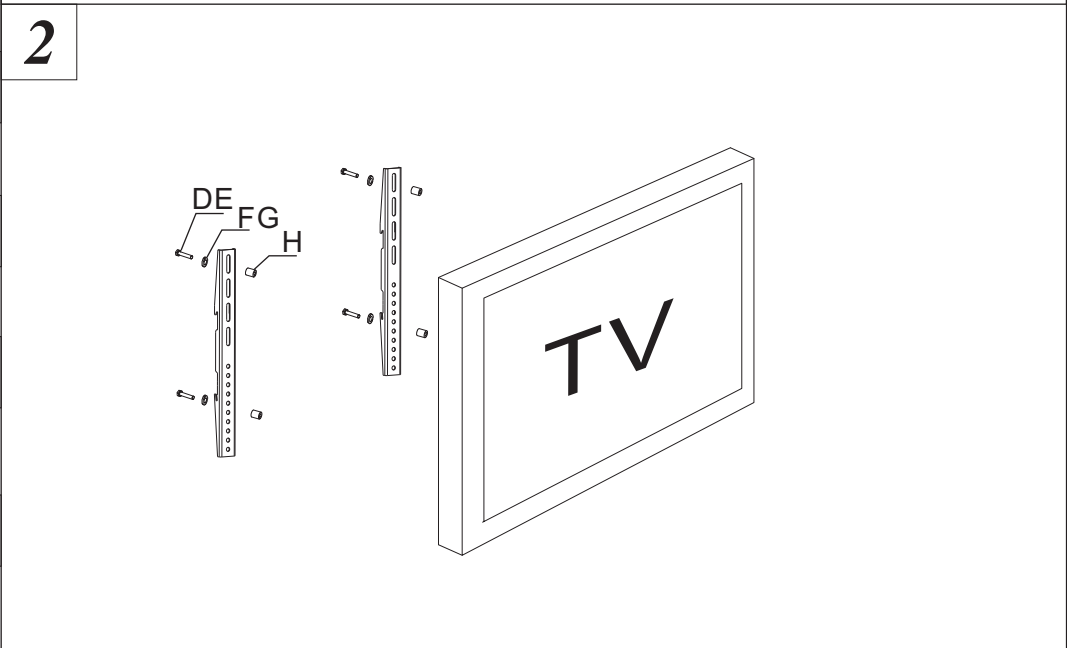
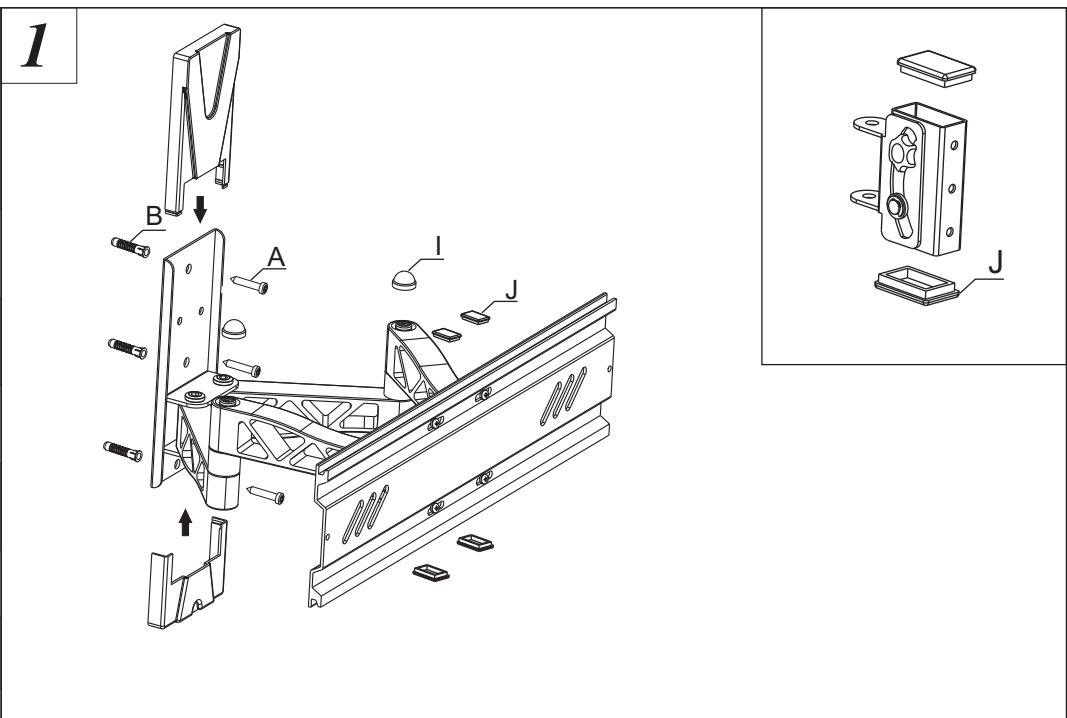


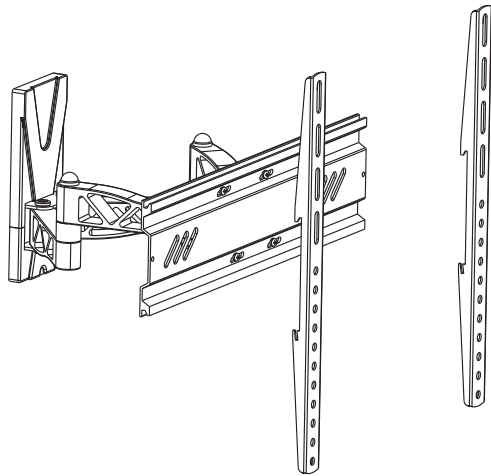
3558G

MUST BE FITTED BY A PROFESSIONAL

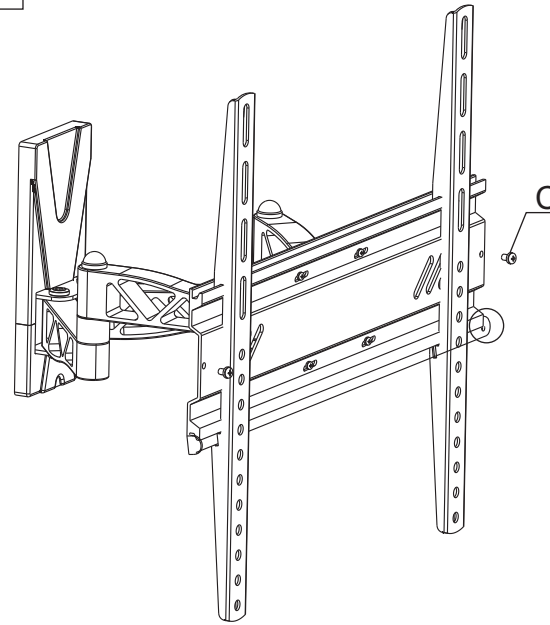
1		WALL PLATE & FRONT PLATE	x1
2		ARMS FOR TV	x2
3		SECURITY LOCKING BAR	x1
4		Dust cover1	x1
5		Dust cover2	x1
A		M5.8x55mm screw	x3
B		WALL PLUG	x3
C		M4x4mm Cross round screw	x2
D		M6x20mm Cross round screw	x4
E		M8x16mm Cross round screw	x4
F		Φ6x16 washer	x4
G		Φ8 washer	x4
H		Φ6 plastic spacer	x4
I		Plastic cover	x2
J		Plastic cover 1	x4
k		M8x16mm Cross round screw	x4



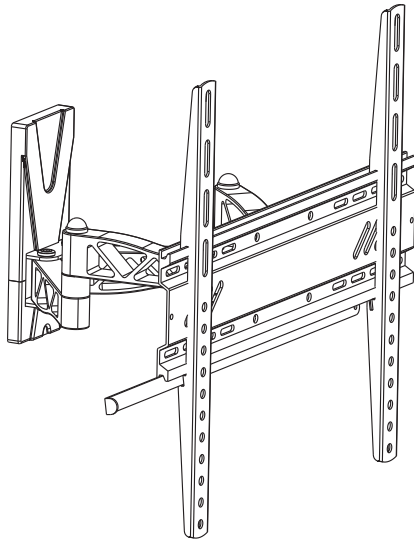
3



5



4



MUST BE FITTED BY A PROFESSIONAL