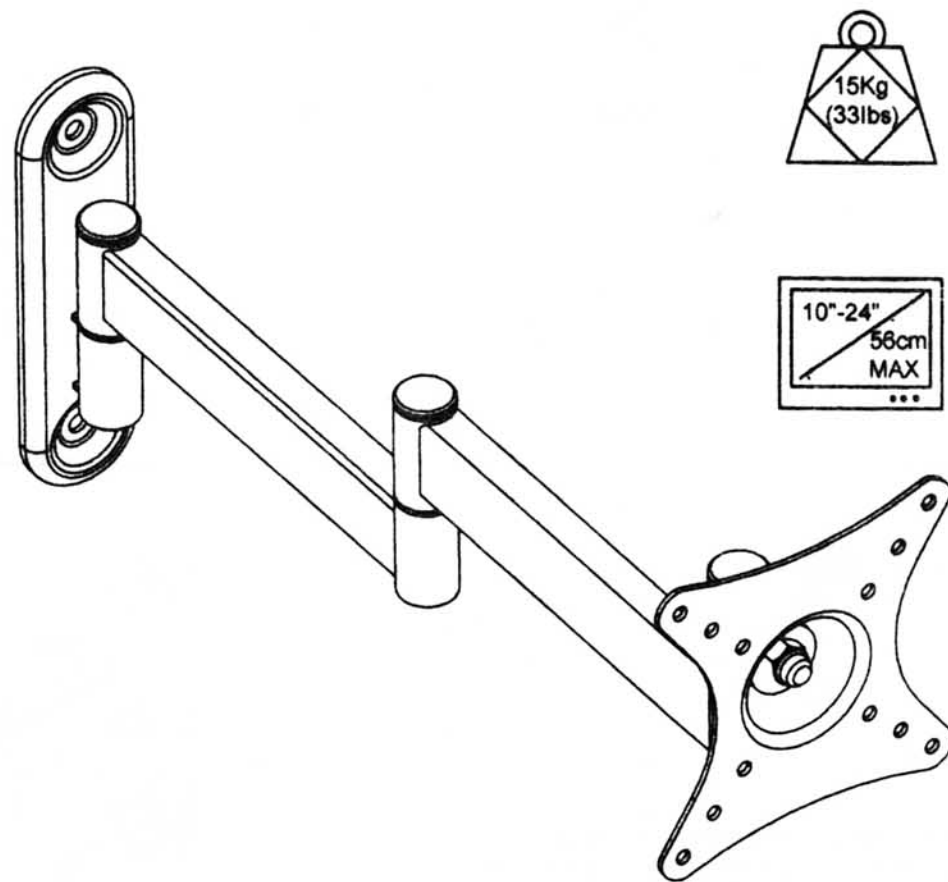


 **WARNING:**

Must be fitted by a professional.

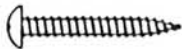
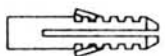


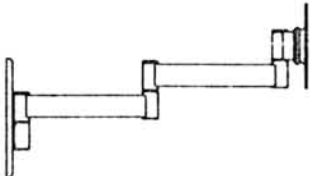
# LCD TV MOUNT



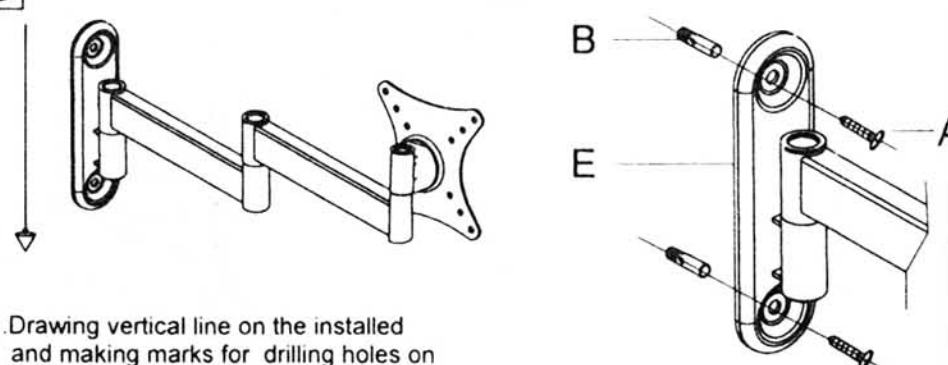
**3703H**

[WWW.AARTONMOUNTS.COM](http://WWW.AARTONMOUNTS.COM)

# 3703H INSTALLATION SPECIFICATION

1	A		2
	B		2
	C		4
	D		4
	E		1

3

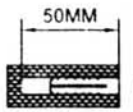

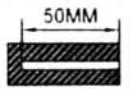
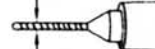


1. Drawing vertical line on the installed and making marks for drilling holes on the wall as per drawing.

2. Drill 50mm-deep holes with  $\Phi 10$  aiguilles on the marks.

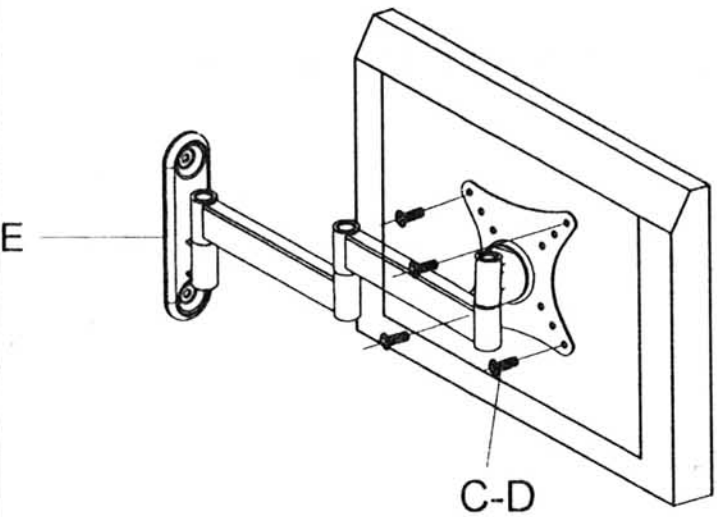
3. Fix subassembly E on the wall with accessories A and B.

4. When installing subassembly E on solid wood walls, use a  $\Phi 4$  aiguilles and accessory B is not needed

concrete wall		$\Phi 10$	
wood wall		$\Phi 4$	

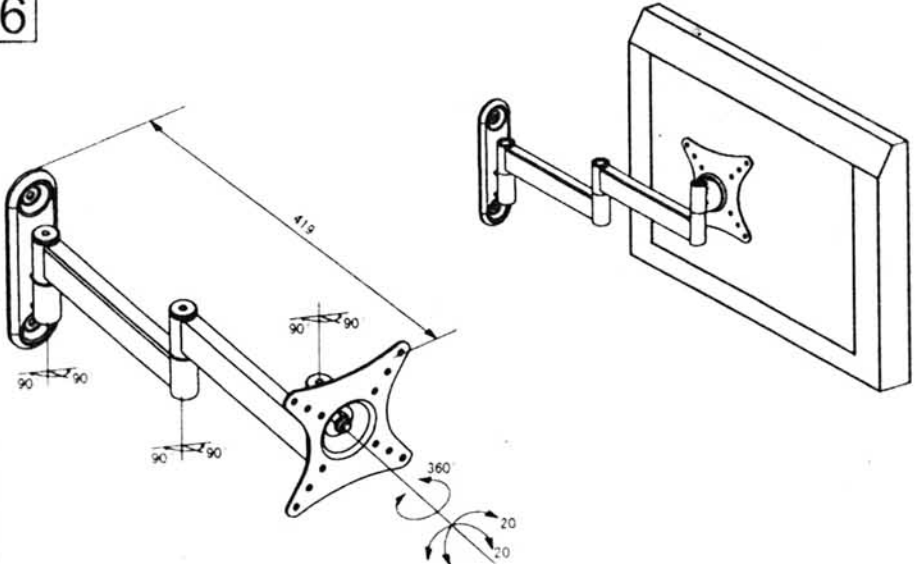
# 3703H INSTALLATION SPECIFICATION

4



Fix subassembly E on the lcd with proper bolts (C or D).

6



1 Now you can adjust the viewing angles as illustrated