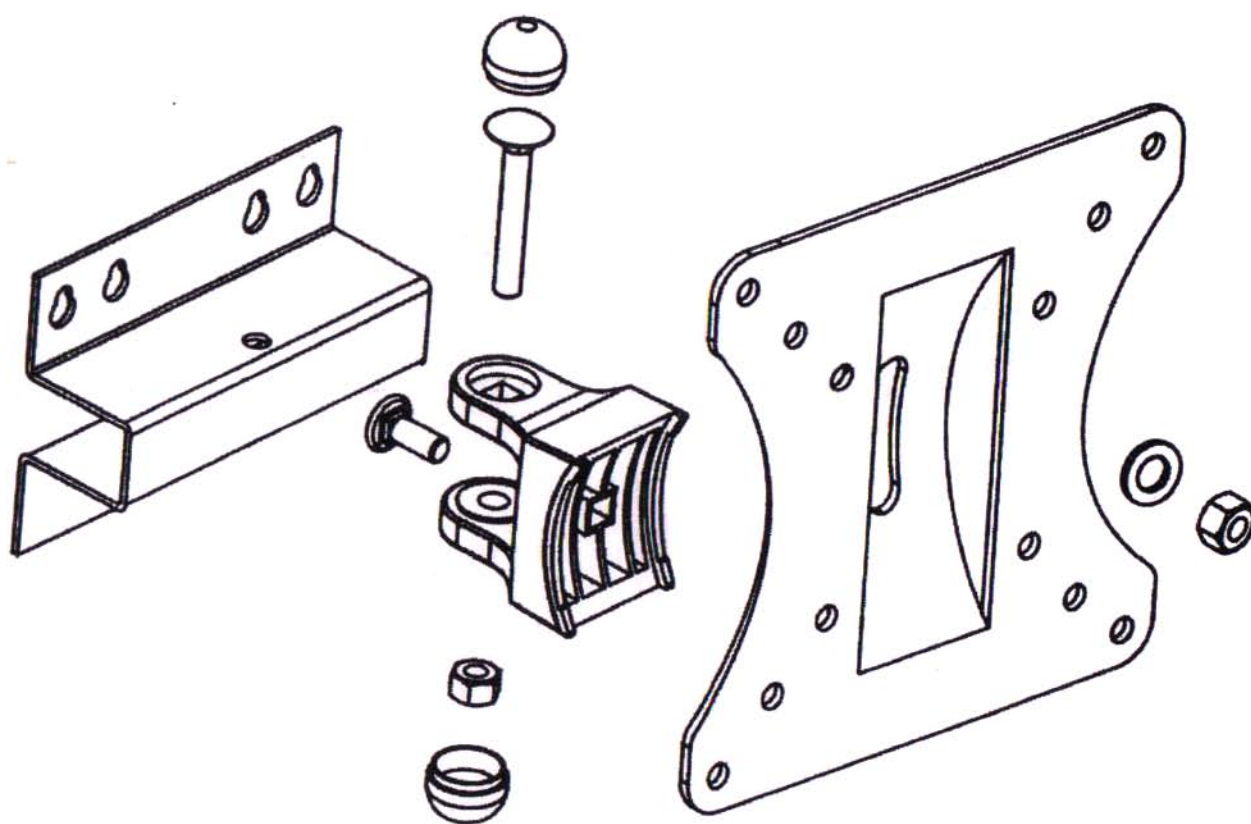


**AARTON-LCD MOUNT-108**  
**ITEM NO.:3508G**



[www.aartonmounts.com](http://www.aartonmounts.com)  
**MUST BE FITTED BY A PROFESSIONAL**