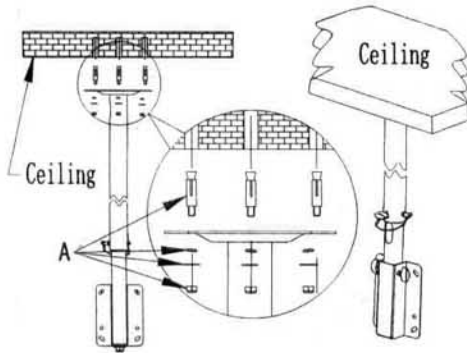


3. Installation and operation instructions

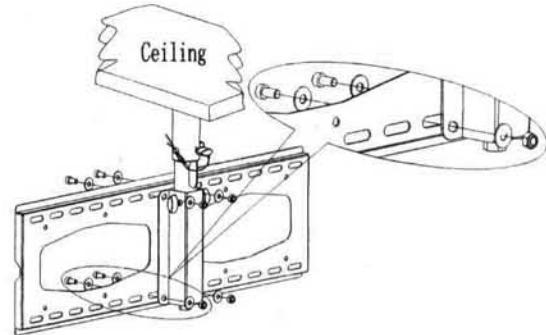
Step 1:

Use the plate as a templet to drill three holes of $\phi 10$ diameter and 50 depth in the concrete Ceiling . Then wedge three steel concrete anchors into the holes. Fix the plate ,Use the flexible washers and flat washers, then fasten the locknuts to fix the mount onto the Ceiling tightly. Adjust the height of the panel TV to a suitable position, and fix the safety pin and screw the knob-1 up at last.



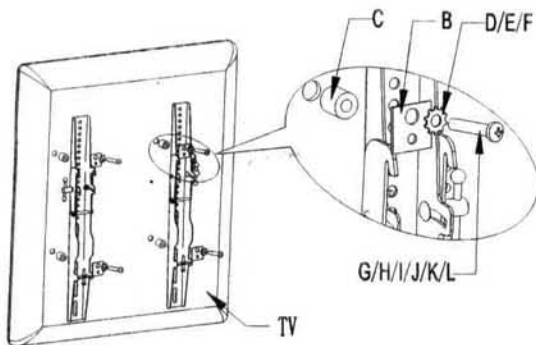
Step 2:

Install the wall fixed frame onto the middle of wall plate. Use the 4PCS screws and 4PCS washer through the wall plate and the wall fixed frame. Use the 4PCS screws and 4PCS locknut to lock tightly.



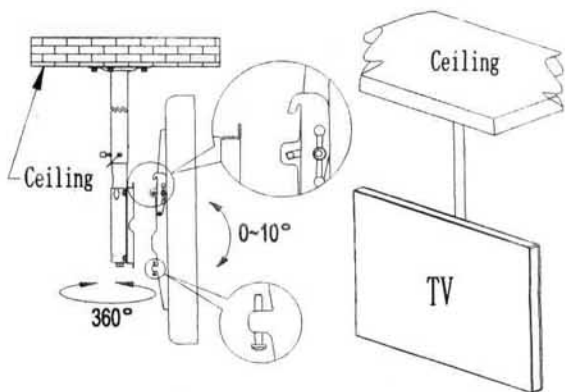
Step 3:

Install the monitor brackets onto the back of the panel TV: screw two bolts into the holes in the back of the panel TV to install each monitor bracket. Make sure the distance from each bracket to the top of the panel TV is equal, and also as center as possible. The knob shall face outward of the panel TV. The parts shall be selected according to the dimensions of the holes in the back of the panel TV.



Step 4:

Hang the two monitor brackets together with the panel TV on the wall plate, relax the hands until they are caught hold of. Loosen the knob on both sides of the brackets to adjust the angle of the LCD between 0° and -10° to a suitable position, and then screw the knobs up. Fix the two bolts under the monitor brackets inside of the wall plate and then screw them down.



Note: please read the instructions carefully before installation!

MUST BE FITTED BY A PROFESSIONAL