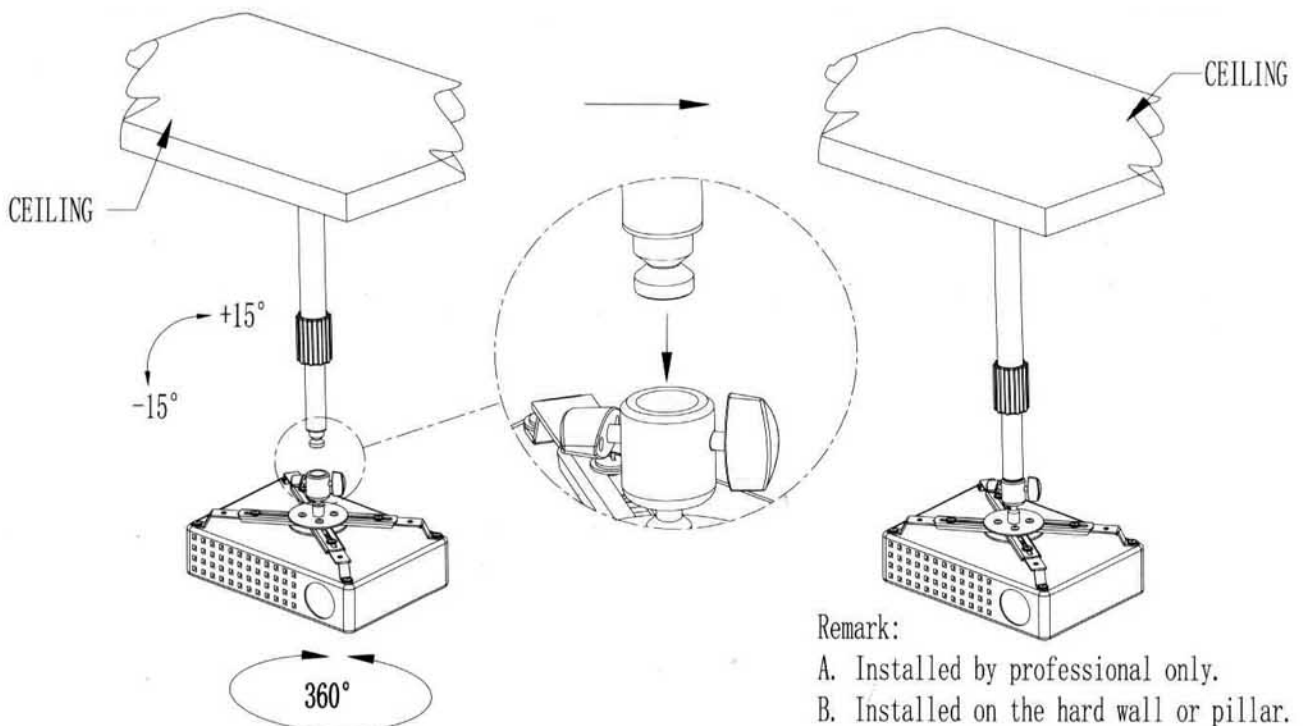
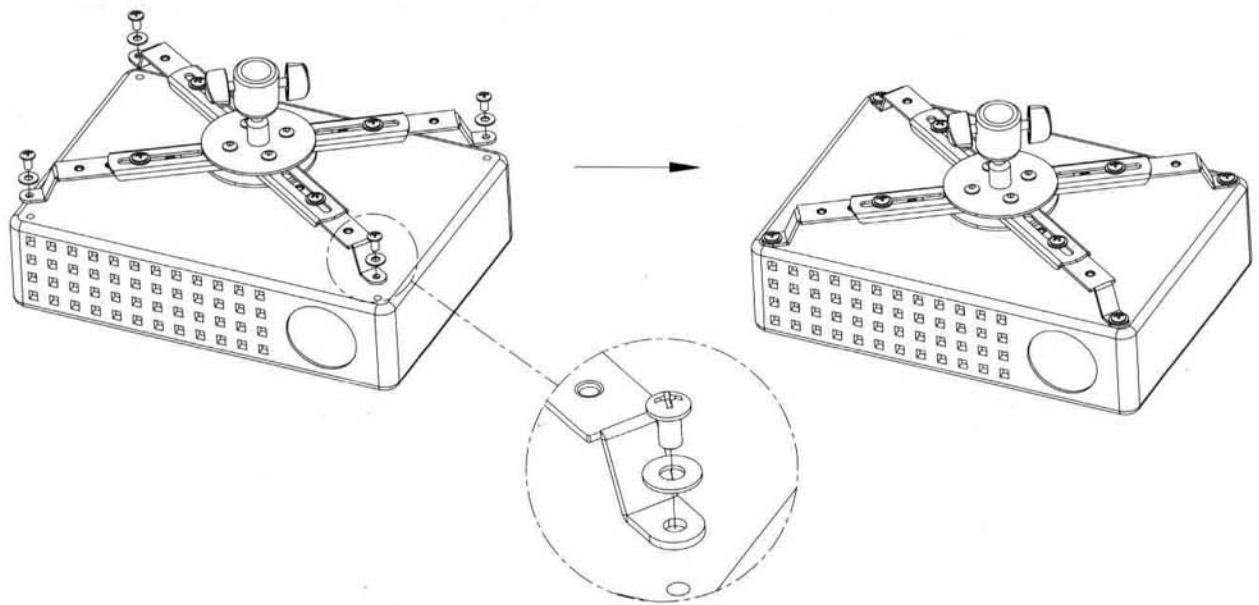
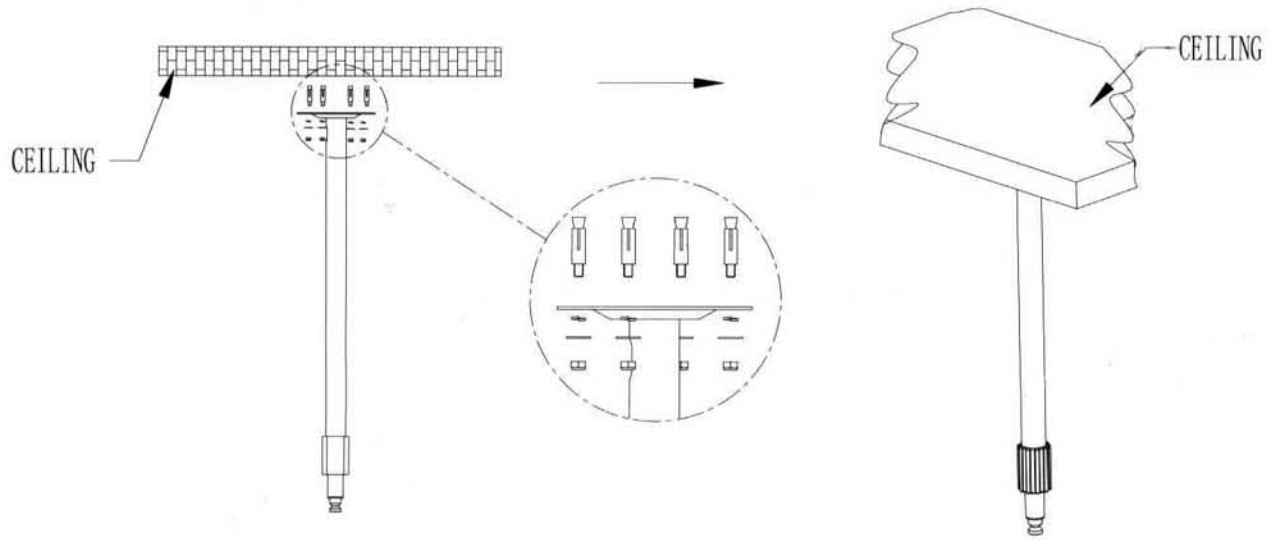


PROJECTOR CEILING MOUNT-213



Remark:

- A. Installed by professional only.
- B. Installed on the hard wall or pillar.