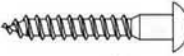




**MUST BE FITTED BY PROFESSIONAL**  
**AARTONMOUNTS**  
 LCD/Plasma Wall Bracket 3012F

**1. Parts List**




No.	Name of part	Material	Amount
A	lag bolts	Standard part	2
B	plastic anchors	Standard part	2
C	M4 washer	Standard part	4
D	M5 washer	Standard part	4
E	M4*15 Phillips screw	Standard part	4
F	M4*15 Phillips screw	Standard part	4
G	M5*15 Phillips screw	Standard part	4
H	M5*15 Phillips screw	Standard part	4
I	S=4 Inner hexagon spanner	Standard part	2

A

B




C

D

E

F

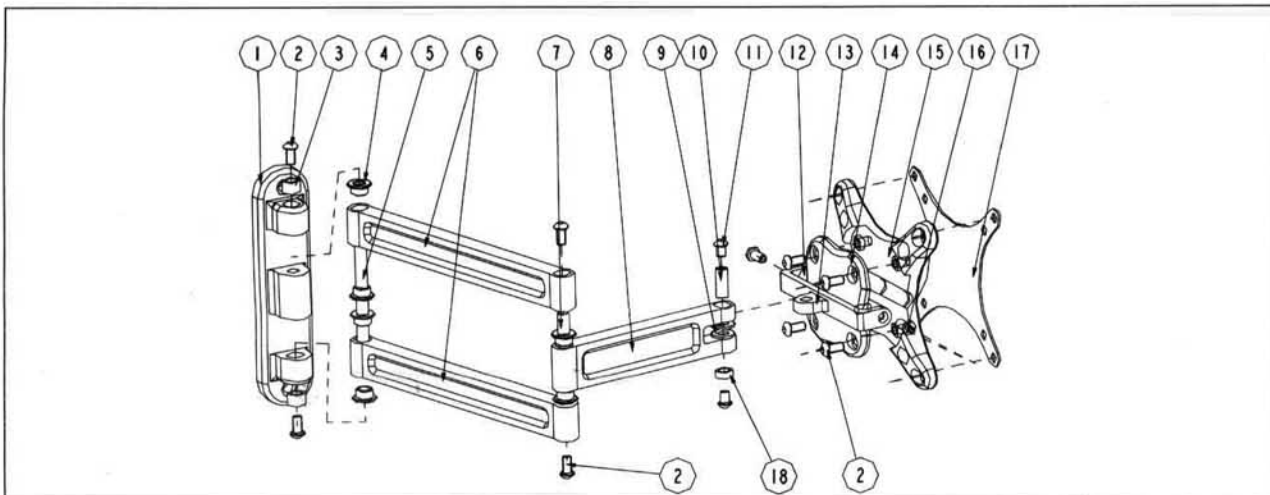




G

H

I

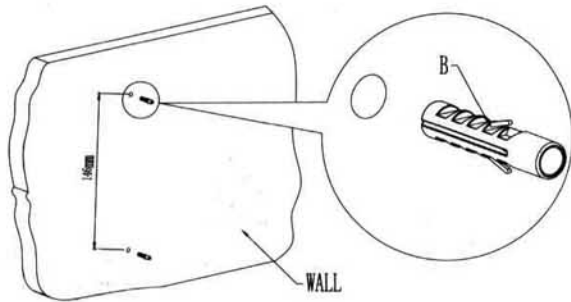
**2. Name of parts**



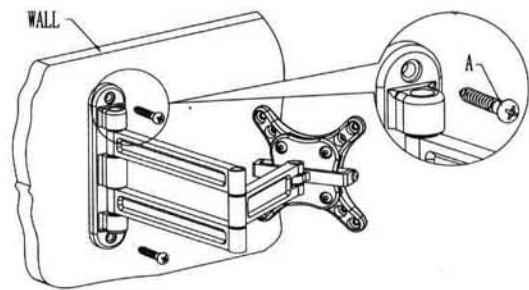
Item NO.	Symbol	Name	Material	Amount	Remark
1	F-552G-01	base	aluminum	1	
2	F-552G-16	First half six inner angle screw	Q235	8	M6*12
3	F-552G-02	Pinched circle	Q235	2	L=7
4	F-552G-03	bushing	PA	6	
5	F-552G-04	Thread casing-one	Q235	1	
6	F-552G-05	Support arm-one	aluminum	2	
7	F-552G-06	Thread casing-two	Q235	1	
8	F-552G-07	Support arm-two	aluminum	1	
9	F-552G-08	Plastic gasket	PA	2	
10	F-552G-09	Thread casing three	Q235	1	
11	F-552G-17	First half six innerangle screw	Q235	2	M6*8
12	F-552G-10	Connecting rod	Q235	1	
13	F-552G-11	The hoisting of the first	Zinc alloy	1	
14	F-552G-12	Fixed cover	aluminum	1	
15	F-552G-13	TV fixed plate	aluminum	1	
16	M8*12	Cross market head screw	Standard part	2	
17	F-552G-14	Fixed plate gasket	PP	1	
18	F-552G-15	Short pinched circle	Q235	1	L=5

### 3. Installation and operation instructions

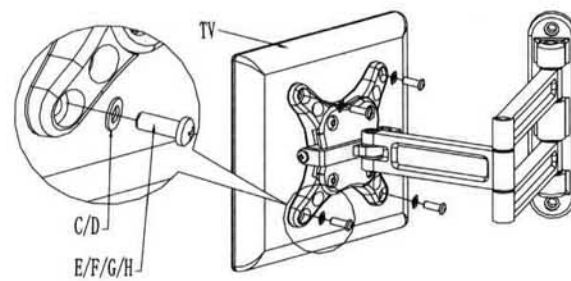
Step 1:



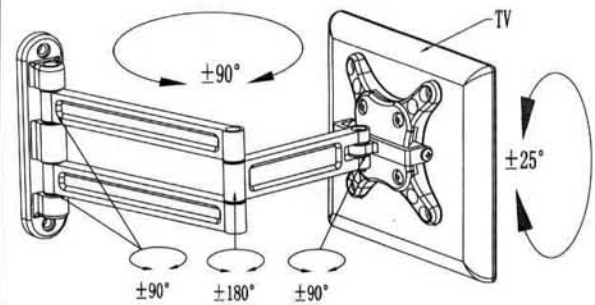
Step 2:



Step 3:



Step 4:



**Must Be Fitted By A Professional.**